

LEADED • LOW FREQUENCY kHz BAND  
**CERAMIC RESONATORS**  
**LXZT**

**FEATURES:**

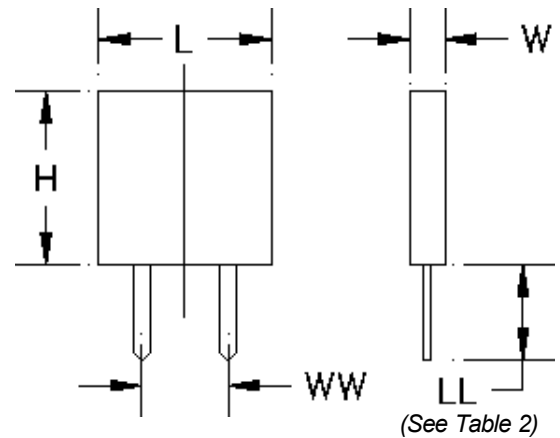
- Excellent environmental resistance.
- Standard frequency range from 190kHz to 1250kHz.
- Ammo packaging options.
- Low cost timing solution.
- Low resonant impedance.

**APPLICATIONS:**

- Microprocessor clocks.
- Electrical appliances.
- Remote controls.

**STANDARD SPECIFICATIONS**

PARAMETERS	SPECIFICATIONS
Frequency Range	<b>190kHz - 1250kHz *</b>
Resonant Impedance	(See Table 1)
Operating Temperature	-20°C to +80°C (See Options)
Frequency Tolerance @ 25°C	(See Table 1)
Frequency Stability over Temp.	±0.3% max.
Load Capacitance C <sub>L</sub> (C <sub>1</sub> C <sub>2</sub> )	(See Table 1)
Aging in 10 Years	±0.3% max.



(See Table 2)

We can characterize your IC to meet exact oscillating conditions. Contact Abracon for details.

\* Please contact us for higher or lower frequencies..

Environmental, and mechanical specifications, see appendix C. Group 5.  
 Marking, see appendix G. Ammo packing, see appendix H.(3,000 pcs/box)  
 Recommended handling, see appendix F.  
 Application notes, see appendix A.

**ORDERING OPTIONS**

LXZT - Frequency - Packaging

XXXX kHz

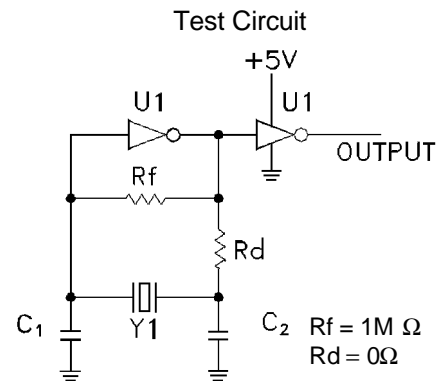
- Ammo  
( ammo packing )

**TABLE 1**

Frequency Range (kHz)	Frequency Tolerance	Resonant Impedance (Ω)	Load Capacitance (pF)	
			C1	C2
190 ~ 249	± 1kHz	≤ 20	330	470
250 ~ 375	± 1kHz	≤ 20	220	470
376 ~ 429	± 2kHz	≤ 20	120	470
430 ~ 509	± 2kHz	≤ 20	100	100
510 ~ 699	± 2kHz	≤ 30	100	100
700 ~ 999	± 0.5%	≤ 70	100	100
1000 ~ 1250	± 0.5%	≤ 100	100	100

**TABLE 2**

Frequency Range (kHz)	Length (L)	Width (w)	Height (H)	Lead Length(LL)	Lead Spacing(ww)
190 ~ 249	0.53 (13.5)	0.15 (3.8)	0.58 (14.7)	0.31 (8.0)	0.39 (10.0)
250 ~ 375	0.43 (11.0)	0.15 (3.8)	0.48 (12.6)	0.28 (7.0)	0.3 (7.7)
376 ~ 400	0.31 (7.1)	0.14 (3.6)	0.35 (9.3)	0.3 (7.7)	0.2 (5.0)
401 ~ 699	0.28 (7.0)	0.14 (3.5)	0.35 (9.0)	0.24 (6.0)	0.2 (5.0)
700 ~ 1250	0.28 (5.2)	0.11 (2.8)	0.26 (6.8)	0.2 (5.0)	0.1 (2.5)



NOTE: Left blank if standard • All specifications and markings subject to change without notice

29 Journey • Aliso Viejo, CA 92656 • USA  
 (949) 448-7070 • FAX: (949) 448-8484  
 E-MAIL: abinfo@abracon.com • INTERNET ADDRESS: www.abracon.com

